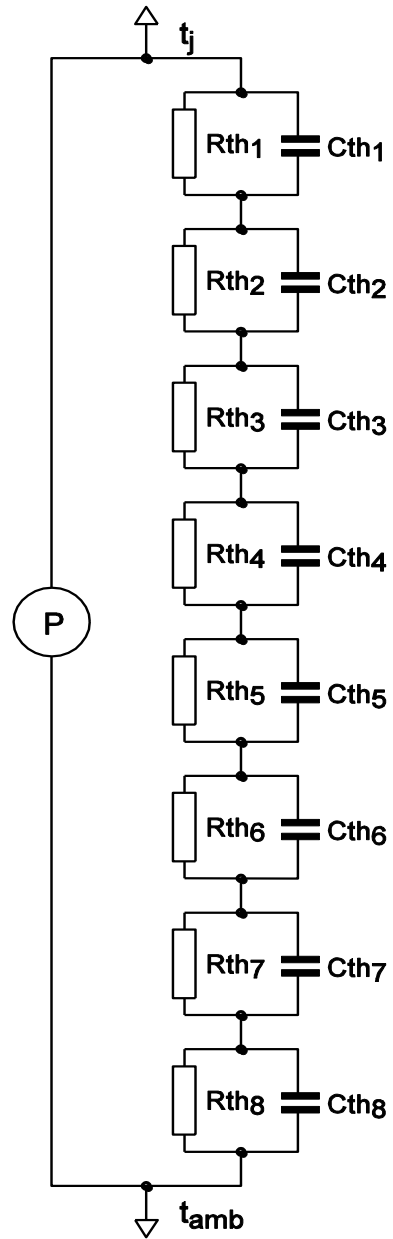


SPICE thermal model

PSMN1R5-30YLC

Symbol	Parameter	Conditions	Min	Typ	Max	Unit
$R_{th(j-mb)}$	thermal resistance from junction to mounting base		-	-	0.84	K/W

C_{th1}	5.987E-05 F
C_{th2}	3.159E-04 F
C_{th3}	3.954E-04 F
C_{th4}	2.857E-03 F
C_{th5}	5.366E-03 F
C_{th6}	1.302E-02 F
C_{th7}	8.759E-01 F
C_{th8}	7.950E+02 F
R_{th1}	1.428E-03 Ω
R_{th2}	3.433E-03 Ω
R_{th3}	2.245E-02 Ω
R_{th4}	3.555E-02 Ω
R_{th5}	1.747E-01 Ω
R_{th6}	5.211E-01 Ω
R_{th7}	8.112E-02 Ω
R_{th8}	2.444E-04 Ω



001aal768

Part: PSMN1R5-30YLC
 Date: 24/6/2015
 Model Rth 0.84 K/W